

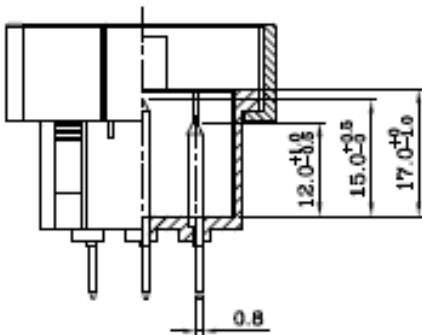
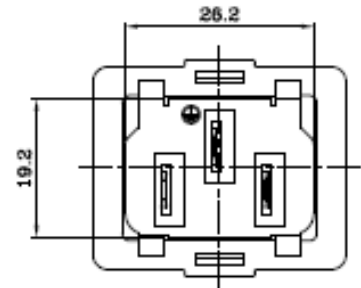
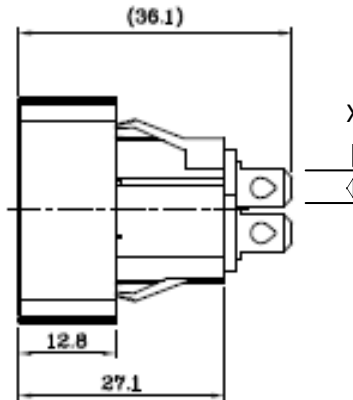
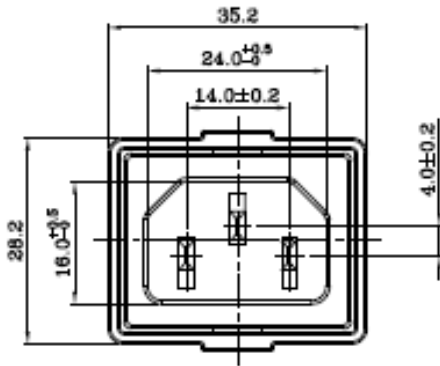
R014SN SERIES



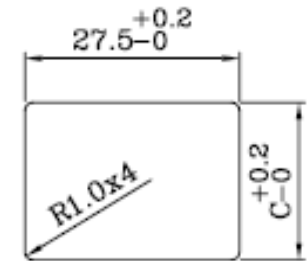
US Patent



SPECIFICATION	DISCRIPTION
Standard	IEC 60320 C14
Insulation Resistance	Over 100MΩ at 500V DC
Dielectric Strength	2000V AC 1 Minute
Material	Thermoplastic 94V-2~V-0
MAX Operating Temperature	≤105°C
Locking Feature	Mate with SSEMCO Lock C13
Rating	15A 250V AC (UL)
	10A 250V AC (EUROPEAN)



THICKNESS	C
0.8t-1.2t	19.9
1.2t-1.5t	20.0
2t	20.1



PANEL CUT-OUT

ORDERING INFORMATION

Unit : mm

R014SN	-00	5	3	X	Y
IEC C14 SANP IN OUTLET	PANEL THICKNESS 00: 0.8-2.0mm	1:GRAY 2:BLUE 5:BLACK 7:RED 9:WHITE	NUMBER OF TABS	TAB WIDTH 3:2.8mm 4:4.0mm 5:4.8mm	8: STANDARD