

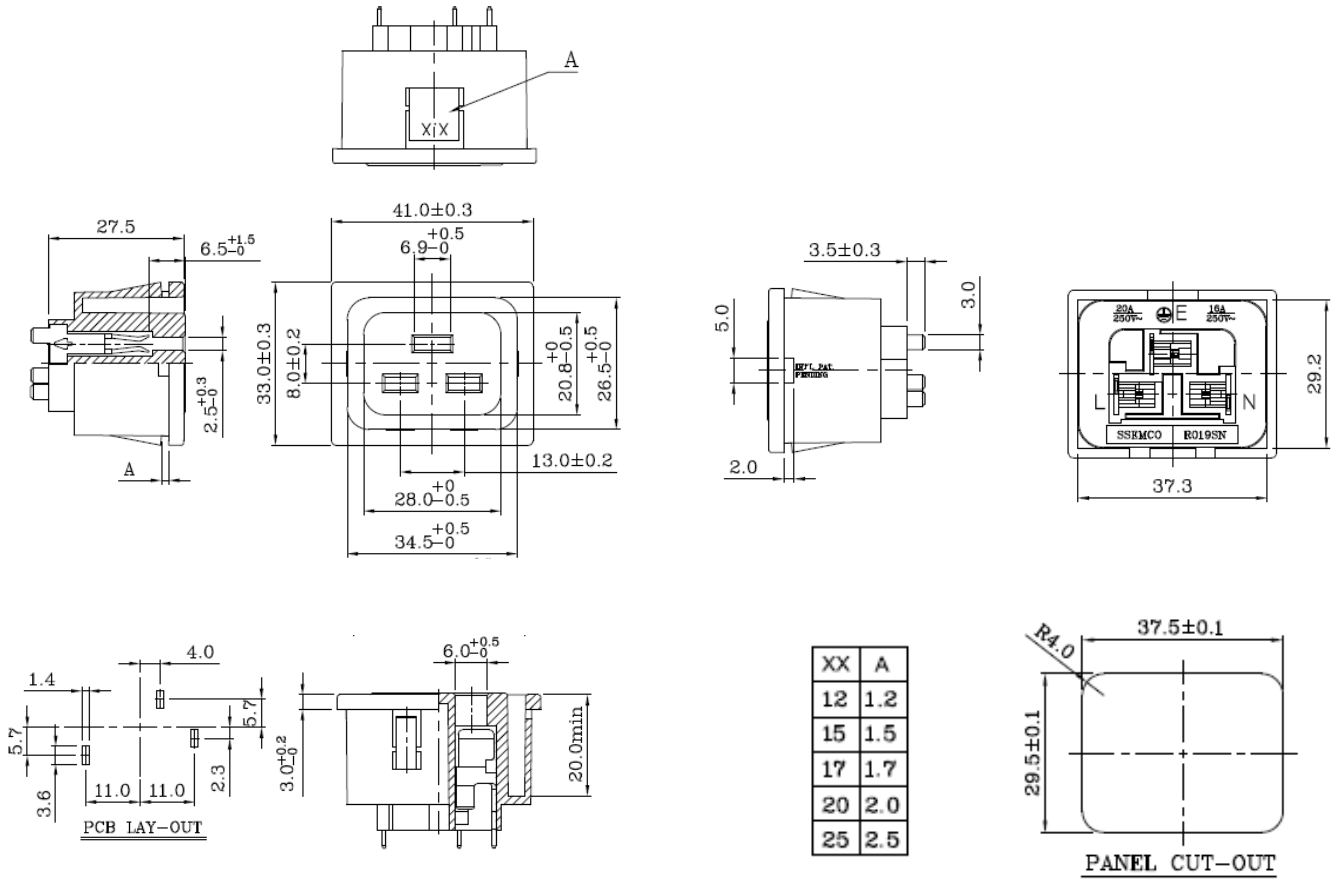
## R019SN SERIES



US Patent



SPECIFICATION	DISCRIPTION
Standard	IEC 60320 C19
Insulation Resistance	Over 100MΩ at 500V DC
Dielectric Strength	2000V AC 1 Minute
Material	Thermoplastic 94V-2~V-0
MAX Operating Temperature	≤105°C
Locking Feature	Mate with SSEMCO Locking C20
Rating	20A 250V AC (UL)
	16A 250V AC (EUROPEAN)



XX	A
12	1.2
15	1.5
17	1.7
20	2.0
25	2.5

### ORDERING INFORMATION

Unit : mm

R019SN	-XX	<u>5</u>	<u>3</u>	<u>A</u>	<u>P</u>
IEC C19	PANEL THICKNESS	1:GRAY 2:BLUE	NUMBER OF TABS	PCB MOUNT	P: STADNDARD A: LOOSE PIN
SANP IN	12: 1.2mm 15: 1.5mm	5:BLACK 7:RED			
OUTLET	17: 1.7mm 20: 2.0mm	9:WHITE			
	25: 2.5mm				

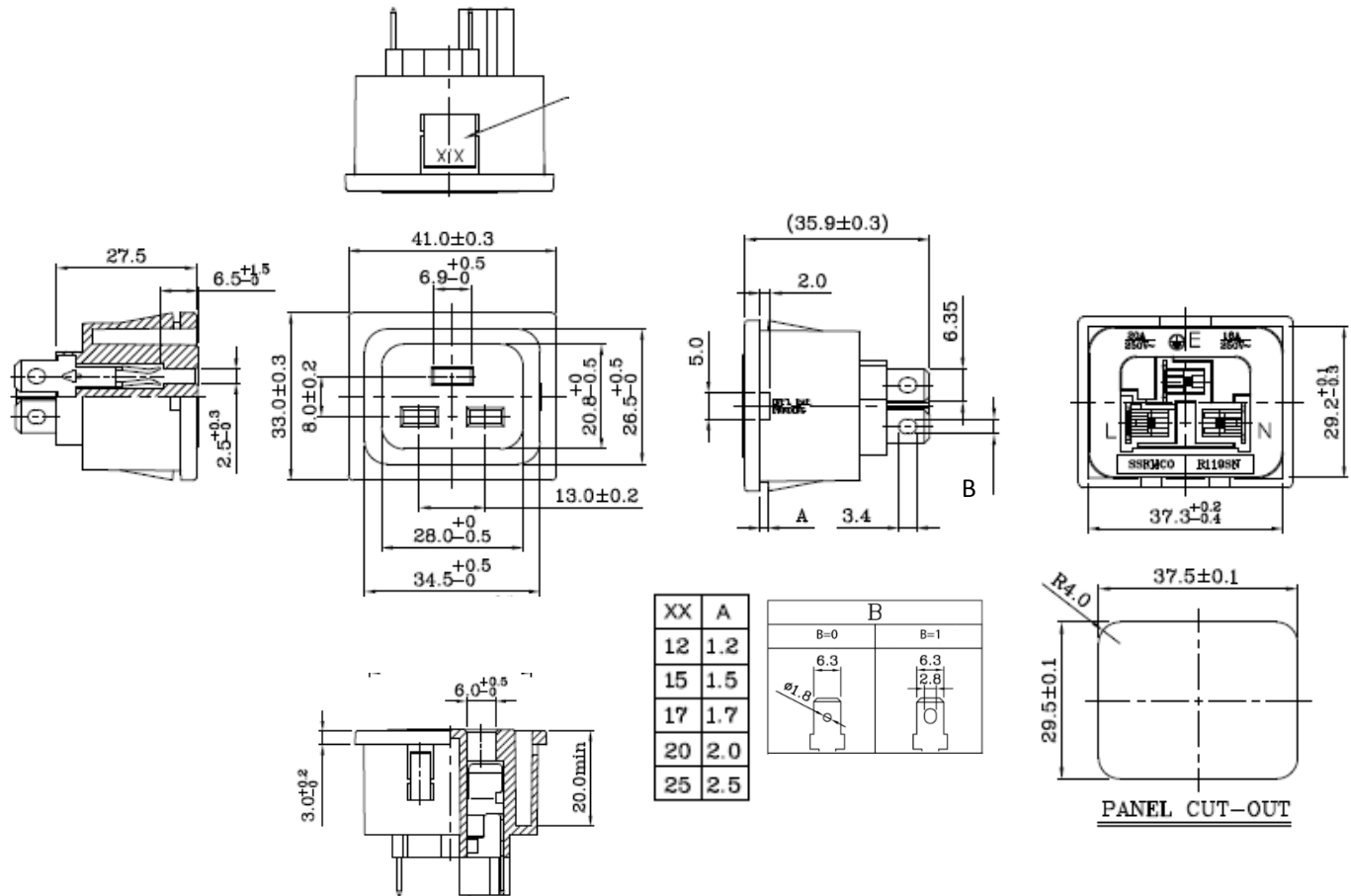
## R119SN SERIES



US Patent



SPECIFICATION	DISCRIPTION
Standard	IEC 60320 C19
Insulation Resistance	Over 100MΩ at 500V DC
Dielectric Strength	2000V AC 1 Minute
Material	Thermoplastic 94V-2~V-0
MAX Operating Temperature	≤105°C
Locking Feature	Mate with SSEMCO Locking C20
Rating	20A 250V AC (UL)
	16A 250V AC (EUROPEAN)



### ORDERING INFORMATION

Unit : mm

R119SN	-XX	Y	3	6	B
IEC C19	PANEL THICKNESS	1:GRAY 2:BLUE	NUMBER	TAB WIDTH	TAB HOLE
SANP IN	12: 1.2mm 15: 1.5mm	5:BLACK 7:RED	OF TABS	3:2.8mm	0: B=1.8
OUTLET	17: 1.7mm 20: 2.0mm	9:WHITE		4:4.0mm	1: B=2.8
	25: 2.5mm			5:4.8mm	
				6:6.35mm	